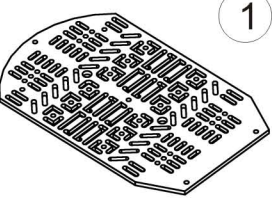
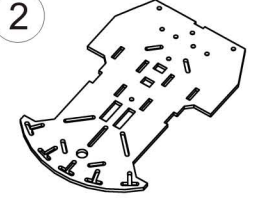
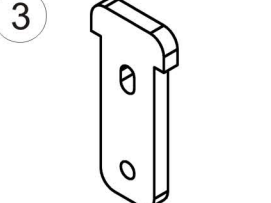

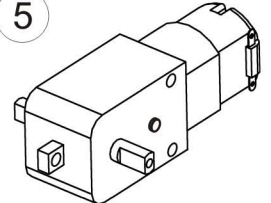
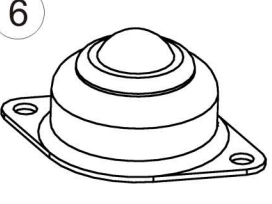

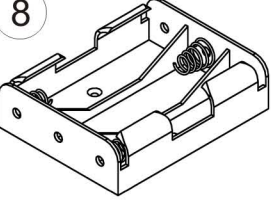
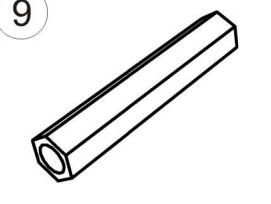
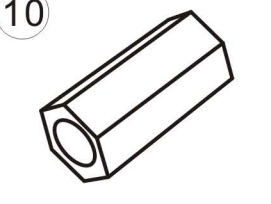
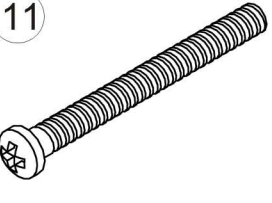
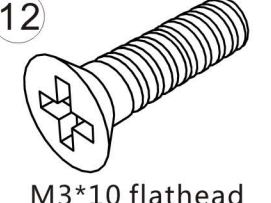
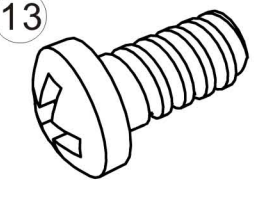
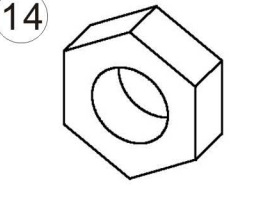


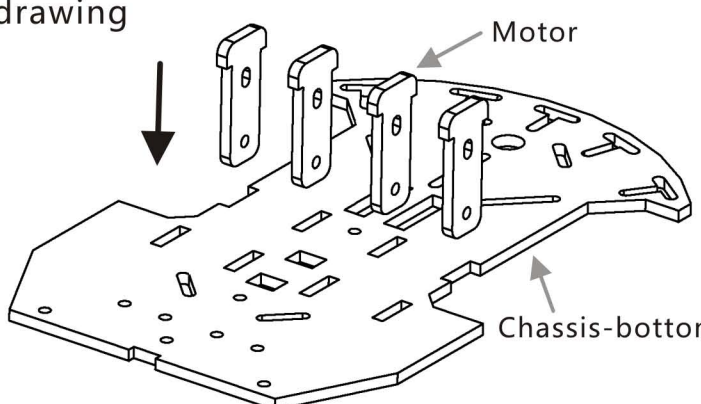
# Magician chassis--DG007

## Part list :

 <p>1 Chassis-up 1PC</p>	 <p>2 Chassis-bottom 1PC</p>	 <p>3 Motor holder 4PCS</p>	 <p>4 Speed board holder 2PCS</p>	 <p>5 Motor 2PCS</p>
 <p>6 Omni wheel 1PC</p>	 <p>7 Wheel 2PCS</p>	 <p>8 Battery holder 1PC</p>	 <p>9 L25 spacer 8PCS</p>	 <p>10 L10 spacer 4PCS</p>
 <p>11 M3*30 screw 4PCS</p>	 <p>12 M3*10 flathead screw 2PCS</p>	 <p>13 M3*6 screw 22PCS</p>	 <p>14 M3 nut 2PCS</p>	

## Assembly instruction :

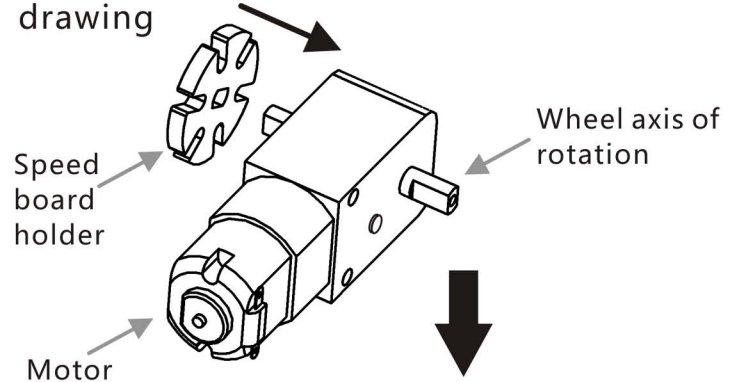
**Step 1: insert motor holder as below drawing**



Motor

Chassis-bottom

**Step 2: assembly the motors as below drawing**



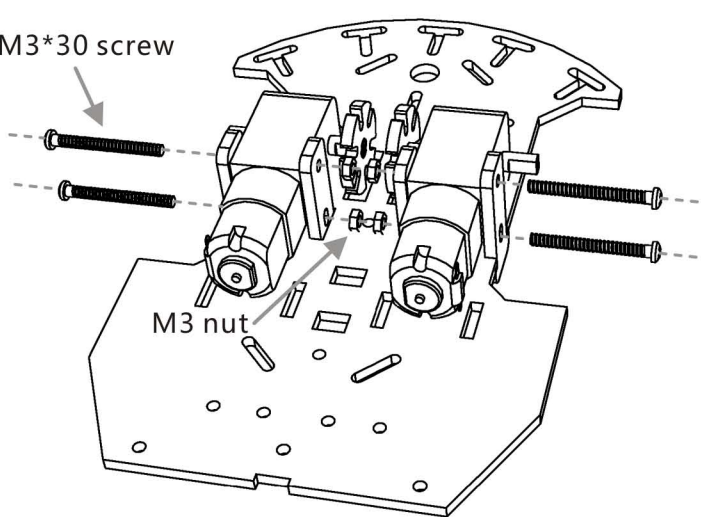
Speed board holder

Motor

Wheel axis of rotation

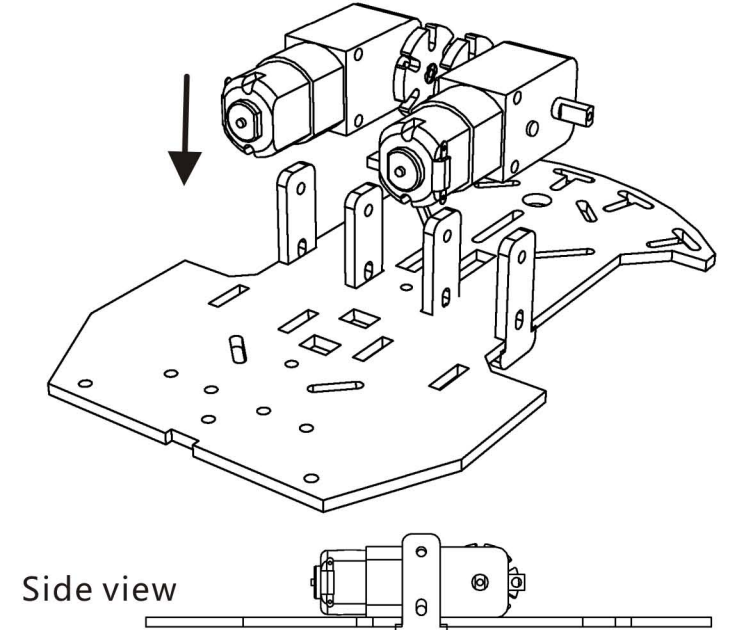
---

**Step 3: screw the motors**



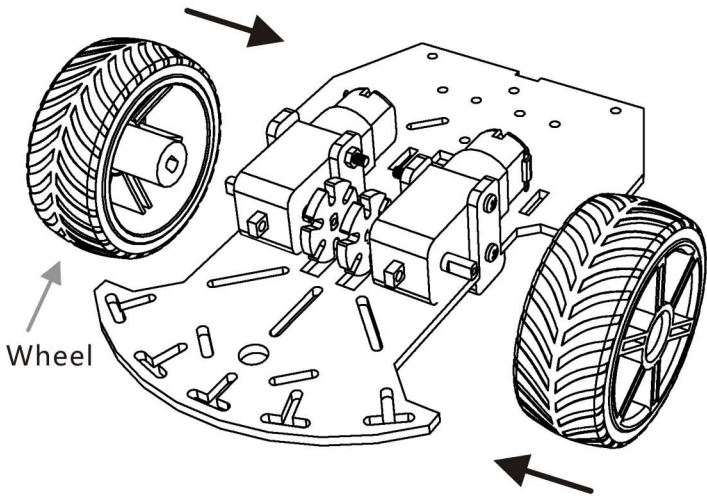
M3\*30 screw

M3 nut

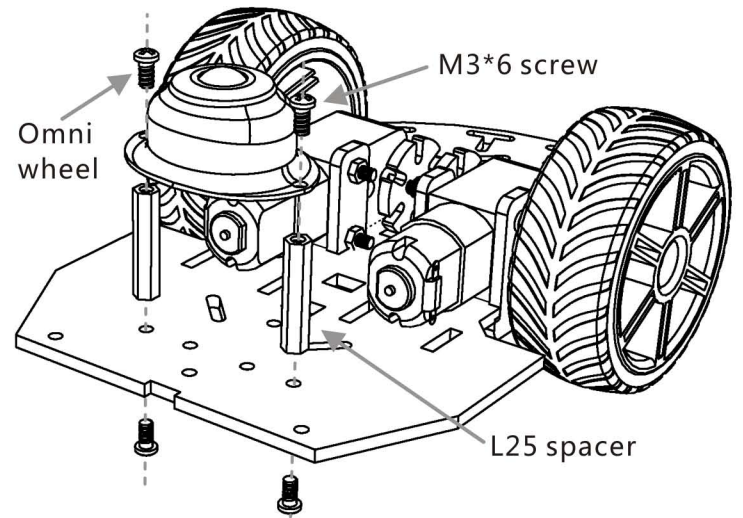


Side view

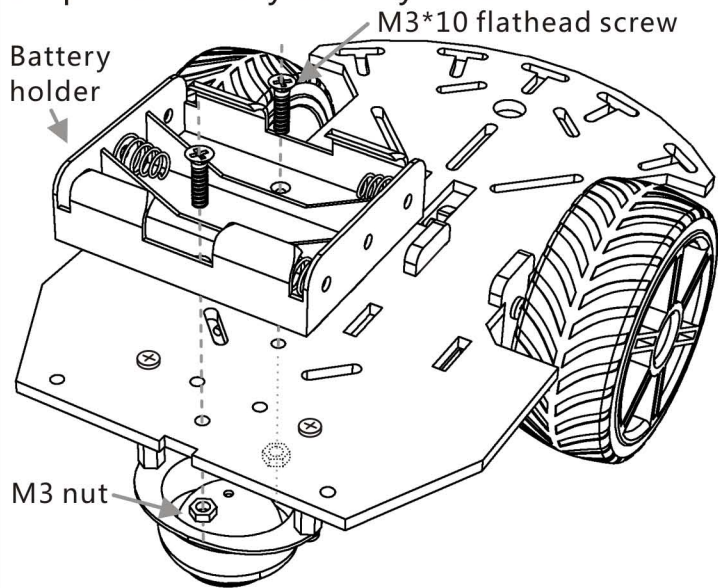
### Step 4: assembly wheels



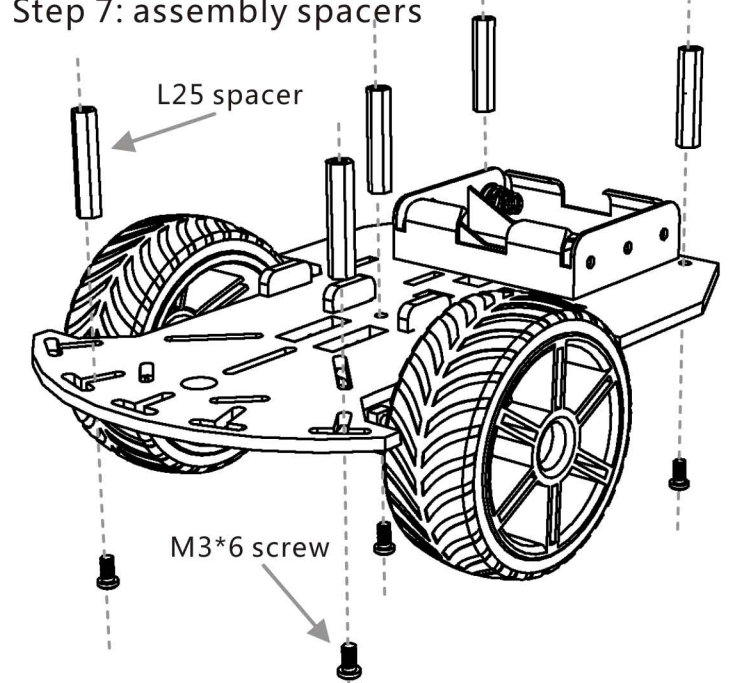
### Step 5: assembly Omni wheel



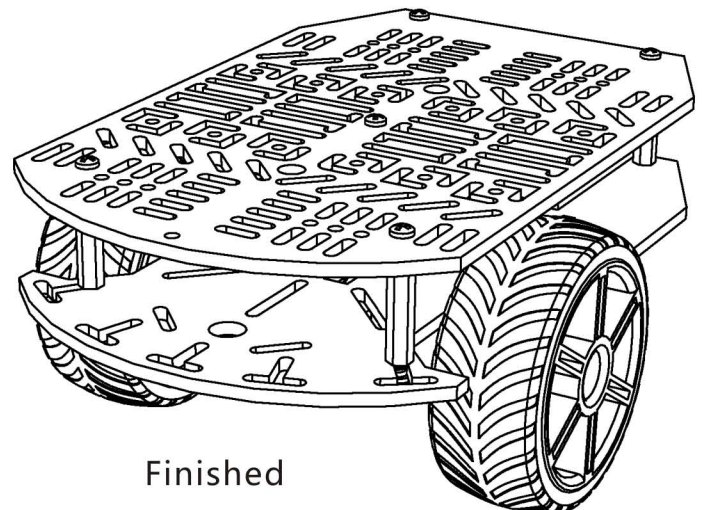
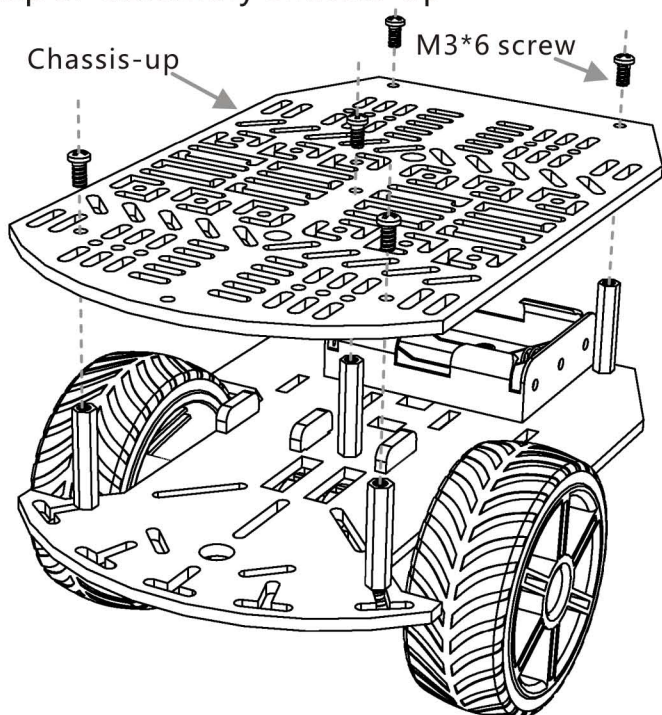
### Step 6: assembly battery holder



### Step 7: assembly spacers



### Step 8: assembly chassis-up



© DAGU CHINA

Address:NO.4-107/108 HengXing Street, HengHai Rd, South District, ZhongShan City of GuangDong China  
TEL:0760-88811951 <http://www.arexx.com.cn> E-mail:info@arexx.com.cn