



德科電機有限公司

香港荃灣柴灣角街84-92號順豐工業中心15字樓K室
Tel: (852)24052428/ 4428 Fax: (852)24054928



Motor Specification

Page 1

To : 中山大谷
Attn : 黃先生
Model No. : TFK280SC-21138-45
Ref. No. :
Prepared By :
Date : 7-12-06

1. SCOPE

- a. This specification applies to TECO TFK280SC-21138-45 motor to be supplied to you.
- b. In case the motor performance and/or life is questionable, tests and judgment are to be made based on this specification.
- c. Please note that it is your responsibility to ensure that the motor can satisfy the requirements of your application.
- d. After having acknowledged the receipt of this specification, please give it back to us within one month after the date of issuance thereof. If you fail to return to us within the term here in above, we regard it as the receipt of this specification acknowledged.



德科電機有限公司

香港荃灣柴灣角街84-92號順豐工業中心15字樓K室
Tel: (852)24052428/ 4428 Fax:(852)24054928



Motor Specification

Page 2

2. STANDARD OPERATING CONDITIONS

ITEM	SPECIFICATION
a. Rated Voltage	DC 7.2VDC
b. Operating Voltage range	DC 5V~7.5VDC
c. No Load Current	Below 160mA
d. No Load Speed	8804±10%RPM
e. Operating Environment	1. Working temperature: -30°C and +40°C Working humidity: 15%~90% RH
f. Storage Environment	1. Storage temperature: -30°C and +70°C 2. Storage humidity: 10%~90% RH (No condensation of moisture)

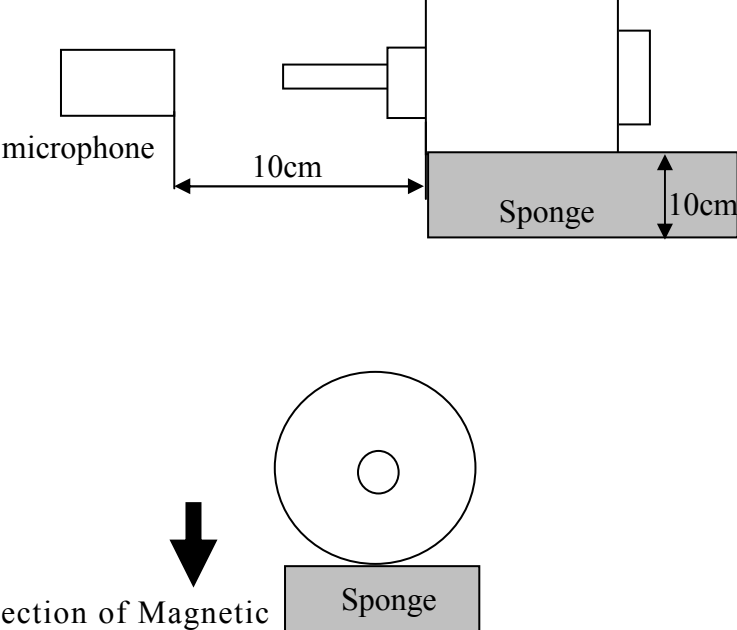
3. MEASURING CONDITION

ITEM	SPECIFICATION
a. Temperature	20±2°C
b. Humidity	65±5%RH
c. Motor Position	Shaft Horizontal

ALL DATA ARE BASED ON THE MEASUREMENT UNDER THE TEMPERATURE OF 25°C AND HUMIDITY 65%RH. HOWEVER, IT IS ALSO APPLICABLE AT THE RANGES OF TEMPERATURE 10~35°C AND HUMIDITY 30~95% RH.



4. MECHANICAL SPECIFICATION

ITEM	SPECIFICATION
a. Shaft end play	0.02mm~0. 5mm
b. Shaft vibration	Below 0.03mm
c. Mechanical noise	68dB (max) with the following condition
	<p>No load rated voltage, motor horizontally held, measured by JIS-A (RMS) at 10cm away from metal housing on protruded shaft side. Motor should be put on the sponge as shown with the arrow downward, Background noise: 26dB</p>  <p>Direction of Magnetic Force attracting the armature</p>



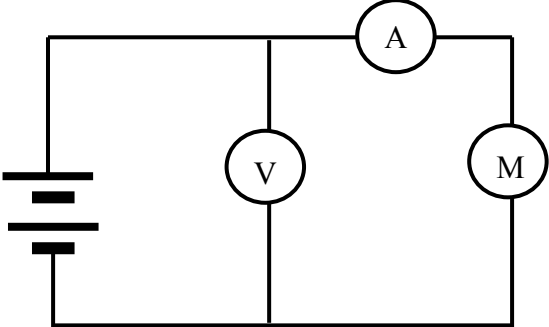
德科電機有限公司

香港荃灣柴灣角街84-92號順豐工業中心15字樓K室
Tel: (852)24052428/ 4428 Fax:(852)24054928



Motor Specification

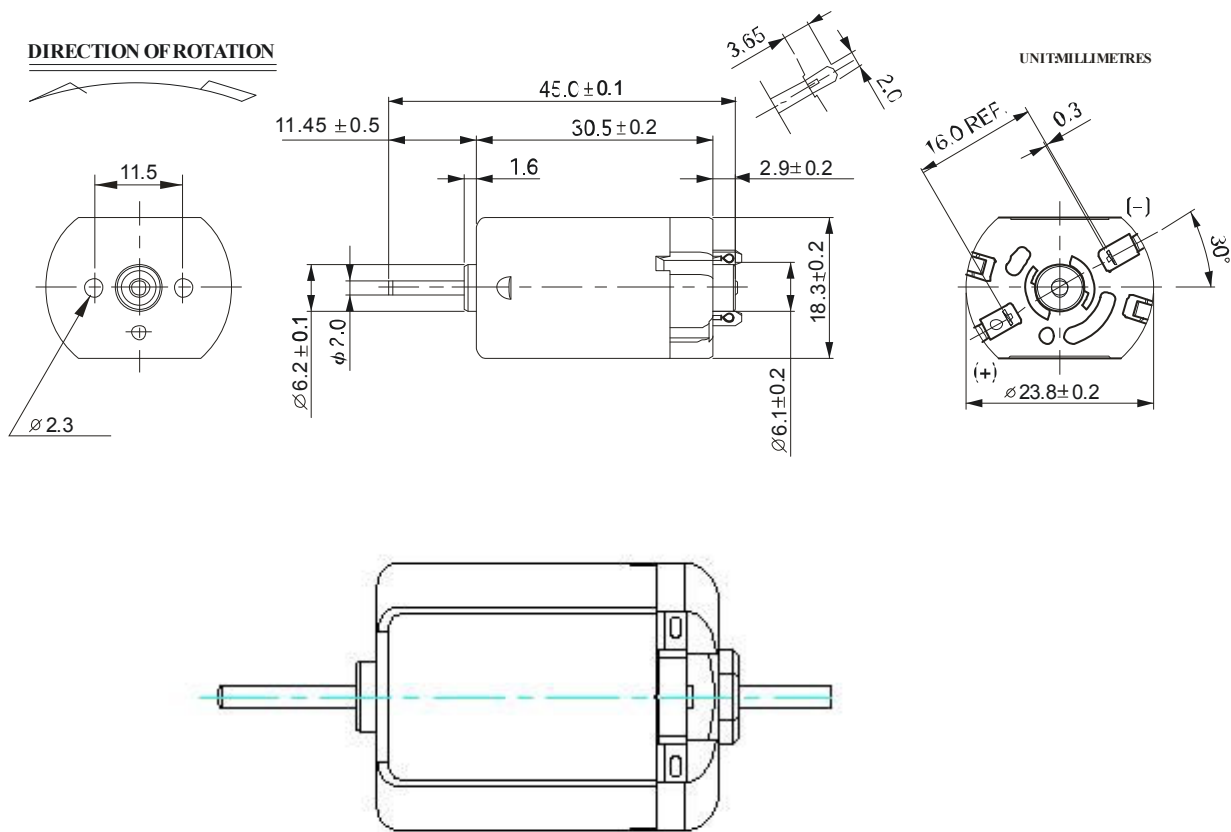
5. ELECTRICAL CHARACTERISTICS

ITEM	SPECIFICATION
a. Rate Voltage	7.2V DC
b. No Load Speed	8804±10%RPM
c. No Load Current	Below 160mA
d. Insulation Resistance	1MΩ Min (DC 100V)
e. Testing Circuit	Testing circuit operated at 7.2V, 0Ω 



Motor Specification

Mechanical Dimension TFK280SC-21138-45



無方孔外殼